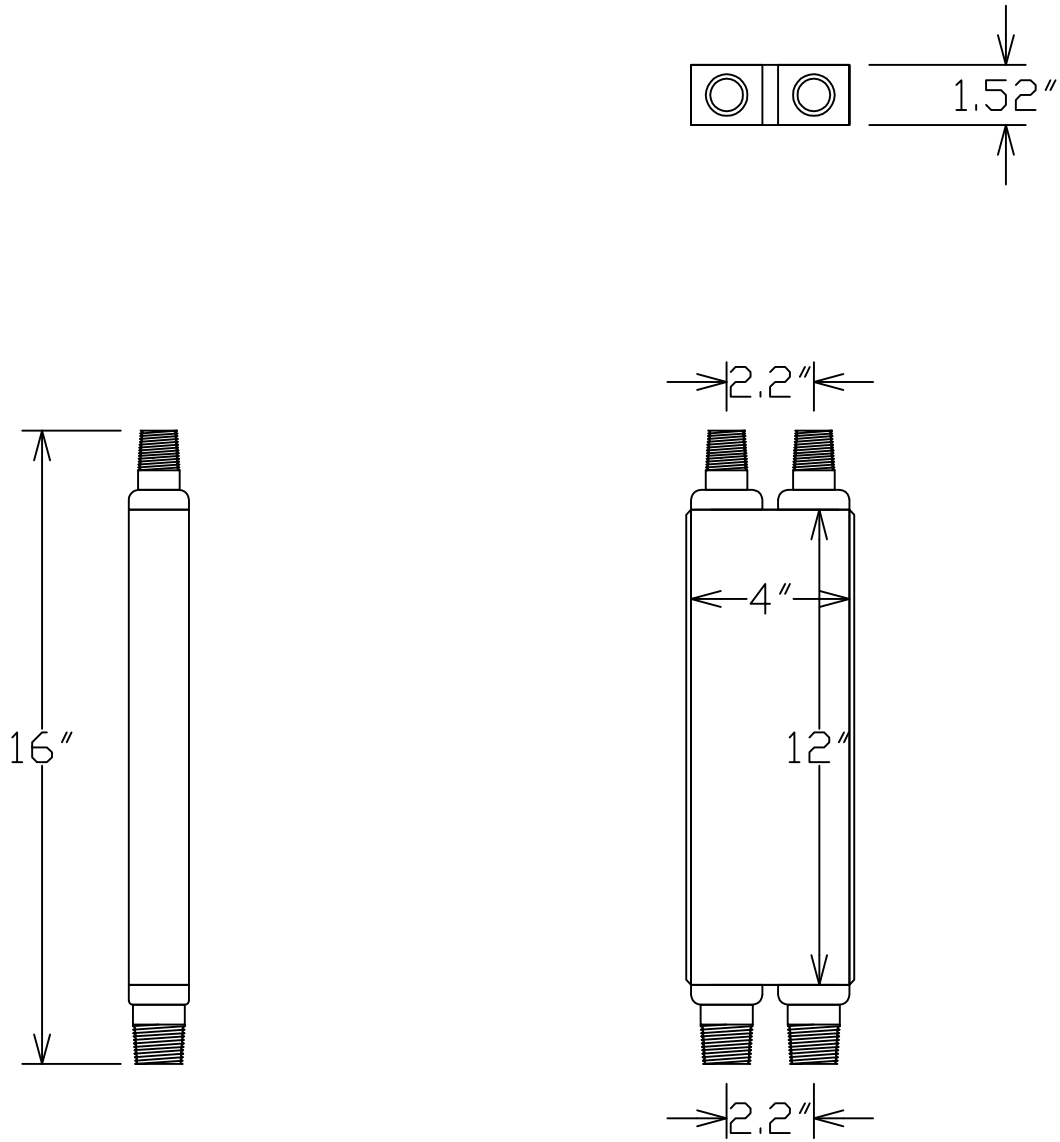


CONSTRUCTION NOTES:

A) MATERIALS ARE ALL WELDED 316L STAINLESS STEEL

B) HEAT TRANSFER AREA IS APPROXIMATELY 3.5 SQUARE FEET

C) CONNECTION PORTS ARE 2 OF 3/4" NPT AND 2 OF 1" NPT



**Carlson**  
HEAT EXCHANGER

MODEL:  
3.5 C

<http://CarlsonHX.com>  
Copyright 2011  
Carlson Heat Exchanger